

UL CE Ex RoHS



# WHP-500W

Pure Sine Wave Series

YUEQING WEIHAO ELECTRONIC CO.,LTD

# CONTENTS



## **Modified Sine Wave Power Inverter**

150W、300W、500W、600W、800W、1000W、1200W、1500W  
2000W、2500W、3000W、4000W、5000W、6000W

## **Pure Sine Wave Power Inverter**

150W、300W、500W、600W、800W、1000W、1200W、1500W  
2000W、2500W、3000W、4000W、5000W、6000W

## **Modified Sine Wave Inverter with charger**

500W、600W、800W、1000W、1500W、2000W、2500W、3000W

## **Pure Sine Wave Inverter with charger**

500W、600W、800W、1000W、1500W、2000W、2500W、3000W

## **Series-Automatic 3 Stages Battery Charger**

1210、1215、1220、1230、1250

## **Series Solar Charge Controller**

1205、1210、1215、1220、1230、1240、1250、1260、1280、12100

# WHP-500W

## Product description:

WEHO inverter takes the advantages of small size, light weight, and high efficiency. It converts DC12/24V to AC 110 /220V . The only thing you need to do is to plug the inverter's cigarette lighter into car cigarette hole. Then it will be able to charge your electronic devices such as laptop, digital cameras, mobile phones, MP5,and ipad with the power of less than 500 watt.

## Product feature:

- Pure sine wave output;
- Peak power can carry inductive loads whose start power is extreme high;
- Output AC is the same with city's electeicity, even better.
- LED indicator,
- Combine multiple protection function: low voltage protection, over voltage protection, overload protection, over temperature protection,short circuit protection.



# Application

Inverters are widely used in solar power station, pv grid-off/grid-tied wind power generation, household air conditioner, home theater, electric grinding wheel, electric tools, sewing machines, DVD, VCD, computer, television, mobile phones, digital cameras, video recorders, washing machines, smoke lampblack machine, refrigerator, massager, fan, lighting, etc.

Since the increasing number of the car, you can apply car inverters to lead kinds of appliances and tools when go out to work or travel. It must be connected to the battery. You can use a variety of household appliances when connecting them to the output of our inverter.



## Solar, wind energy generation

Save energy, reduce emissions, and use efficiently



## Household refrigerators, air conditioner, fan

lead all kinds of loads



## Computer and TV, drinking machine

High efficiency and fast start



## Induction cooker, rice cooker

High safety performance and strong stability



## Power tools, outdoor lighting

Resistance to friction, squeeze and touch attack



## Mobile phone, camera, razor

Short circuit protection, low/over voltage protection, overload protection



# Output Introduction

## AC output

Socket can be chose  
12V/24V/48V to 110V/220V( $\pm 10\%$ )

## Led lights

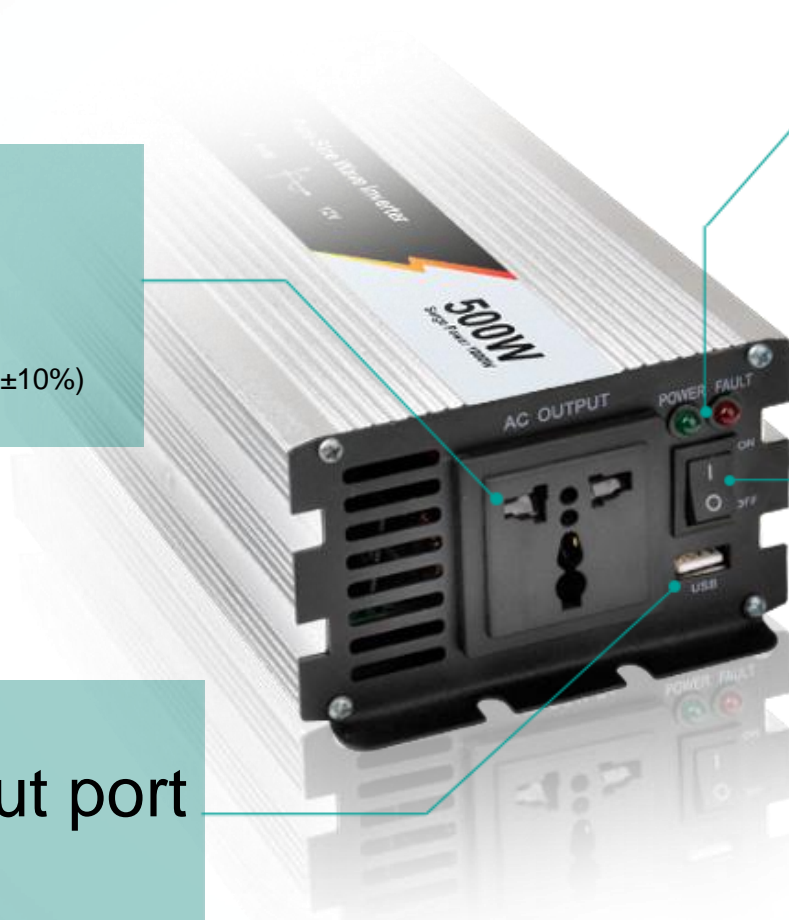
Green: work  
Red : fault indicator

## USB output port

DC output 1A/5V

## Power switch

I : ON  
O : OFF



# Input Introduction

## Positive terminal

Connected to battery positive electrode

## Intelligent fan

It starts and shuts down intelligently depending on the temperature and loads, efficient and energy-saving.



## 100% fine copper

99.5~99.95% copper and silver contained  
good in conductivity and high efficiency

## Negative terminal

Connected to battery negative electrode



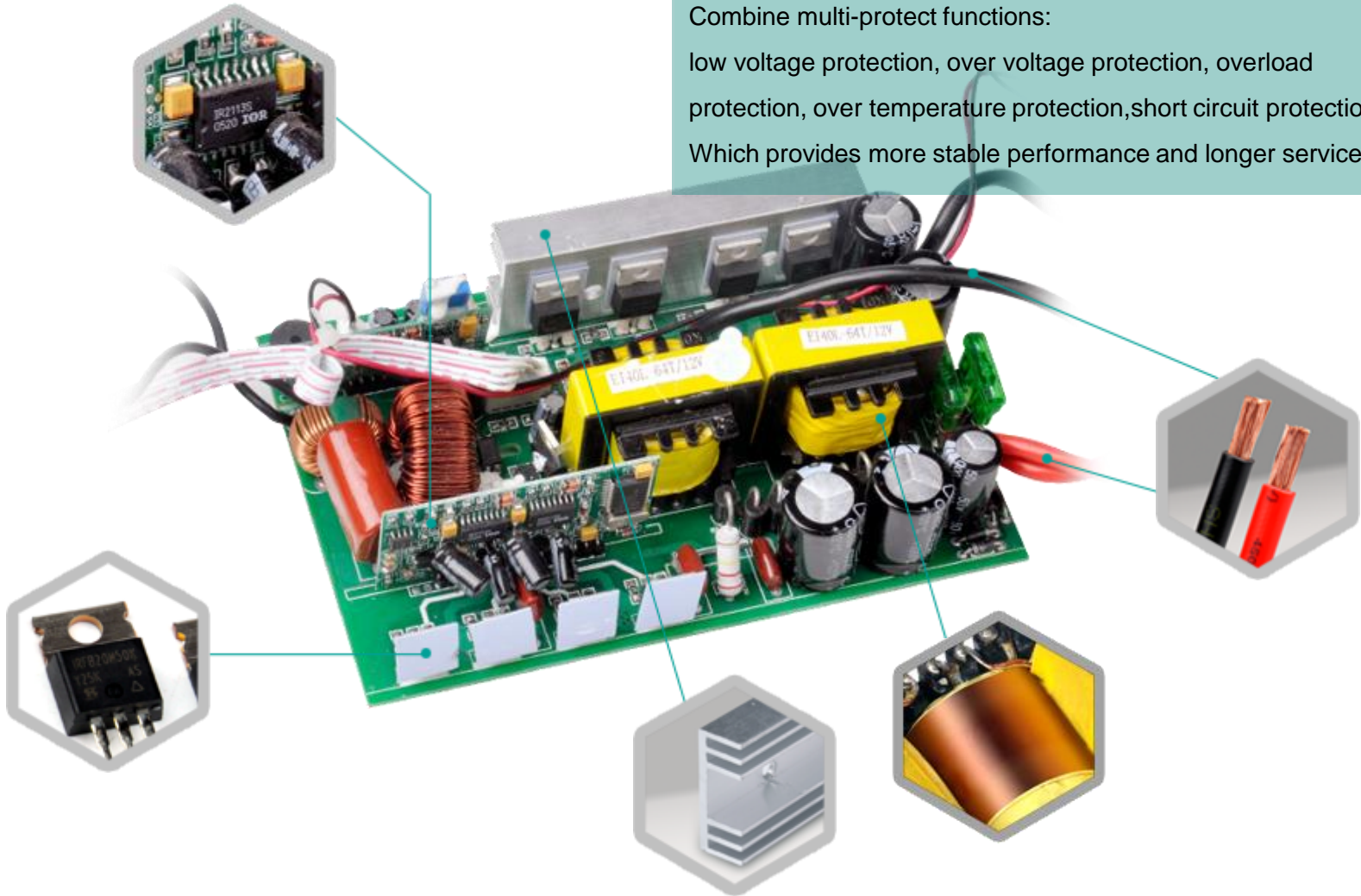
# Internal parts

High-end chip and high quality MOS tubes.

Combine multi-protect functions:

low voltage protection, over voltage protection, overload protection, over temperature protection, short circuit protection.

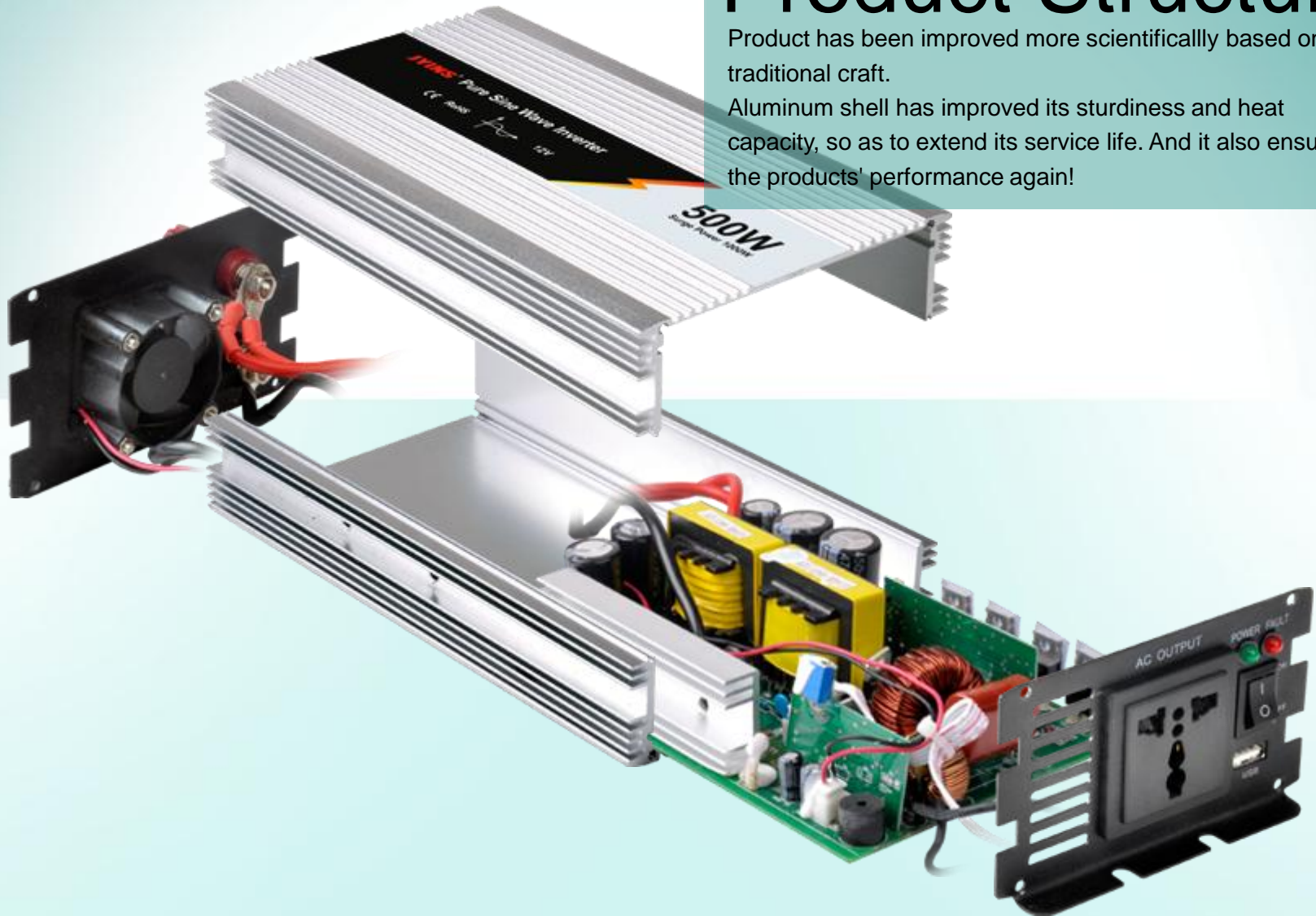
Which provides more stable performance and longer service life.



# Product Structure

Product has been improved more scientifically based on the traditional craft.

Aluminum shell has improved its sturdiness and heat capacity, so as to extend its service life. And it also ensures the products' performance again!



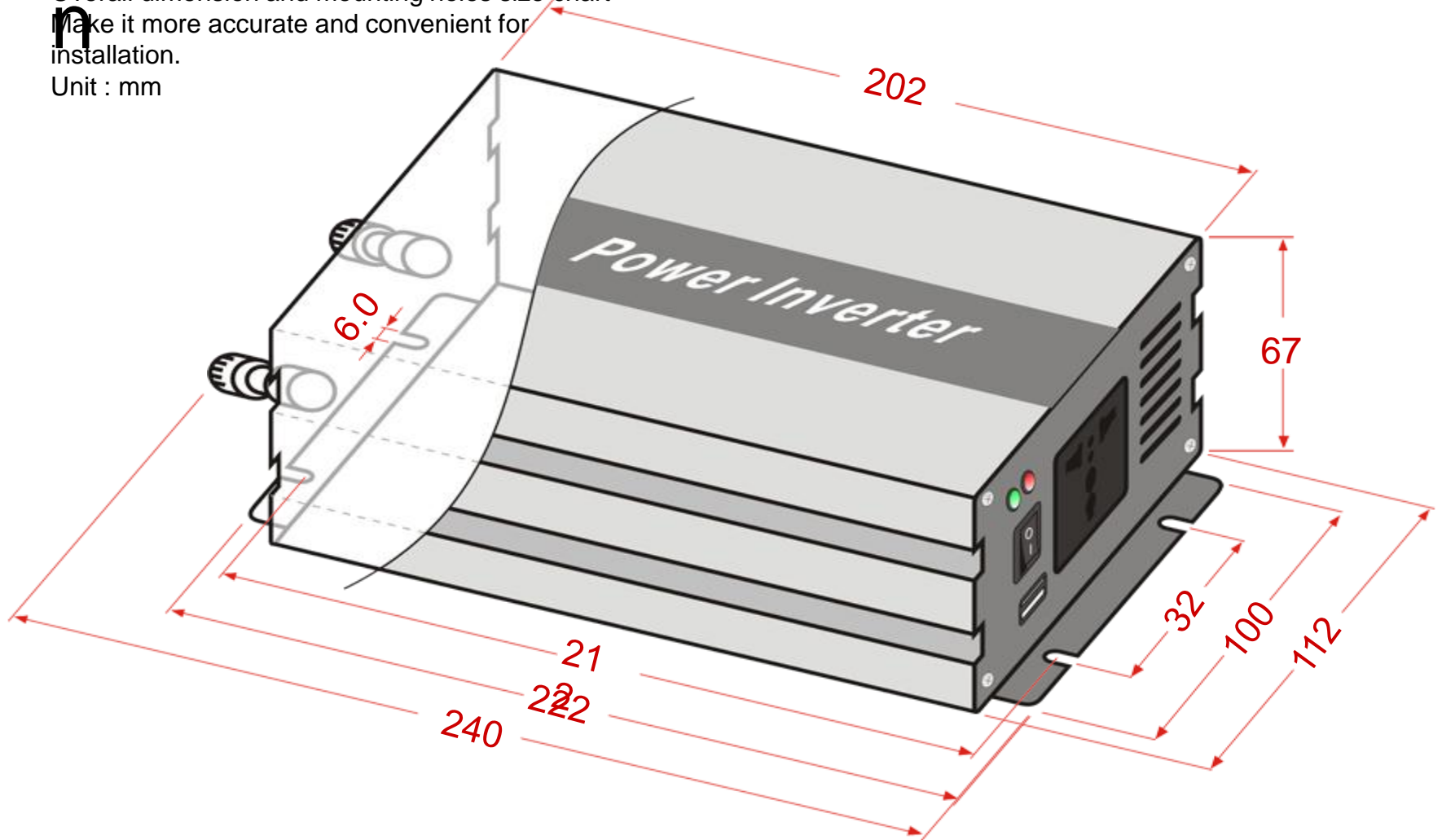


# Dimensio

Overall dimension and mounting holes size chart

Make it more accurate and convenient for installation.

Unit : mm





For user's option



# Packing

Convenient packing, saving time and labor, exquisite technology,  
Good sealing, saving energy and environment friendly,  
Internationally recognized as a new environmentally friendly packing.

Honeycomb carton is light weight but born heavy, anti-extrusion, and protects products well.



We use multilayer plastic bubble seal for protection.  
It is waterproof, moisture proof, etc.



Cigarette lighter  
Fuse



Crocodile clip



Cable



Power wire



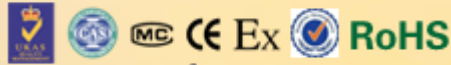
# Honor and qualification

Won several national patents

Through the ISO9001

CE certification

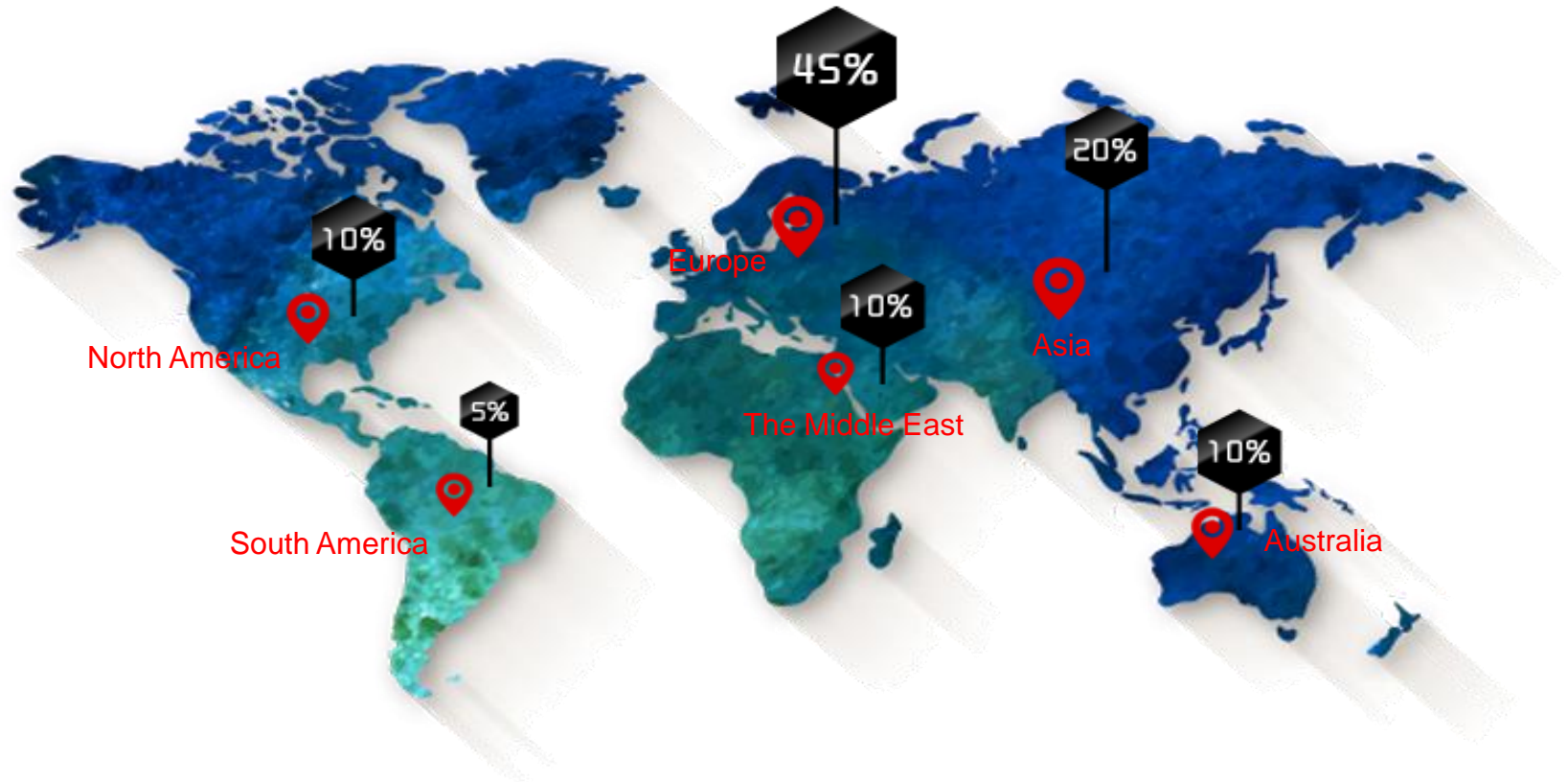
The national metrological testing technology certificate





# Sales network

Mainly occupied the international market, exported to southeast Asia, Europe, North America, Australia, Middle East and other countries and regions, enjoy a high reputation in the world.



# Transportation

We will arrange the goods packaging, choose the transport routes in a fast and economical mode;

Monitor all goods circulation, track and ensure the quality of transportation;

provide fast, safe logistics channels.

