

概述 Summary

- > 三组输出：功率120W
Triple output: power 120W
- > 输入电压：90 ~ 132VAC/180 ~ 264VAC 由开关切换
Input voltage: 90 ~ 132VAC/180 ~ 264VAC by switch

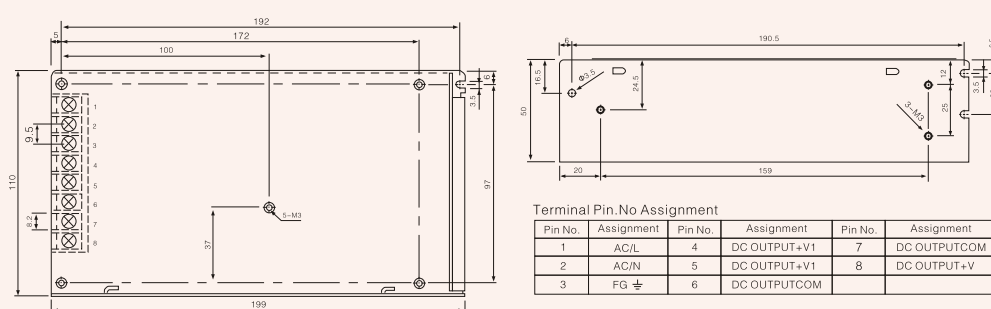


常见规格 General Specification

199 × 110 × 50mm

性能 Specification	型号 Model	T-120A			T-120B			T-120C			T-120D		
		CH1主回路	CH2次回路	CH3次回路	CH1主回路	CH2次回路	CH3次回路	CH1主回路	CH2次回路	CH3次回路	CH1主回路	CH2次回路	CH3次回路
直流输出电压、电流 DC output voltage, current		5V 2~11A	12V 0.5~5A	-5V 0.2~1A	5V 2~11A	12V 0.5~4.5A	-12V 0.2~1A	5V 2~10A	15V 0.5~3.5A	-15V 0.1~1A	5V 2~12A	12V 0.2~0.5A	24V 0.2~2A
纹波及噪音 Wave and noise		80mVp-p	150mVp-p	150mVp-p	80mVp-p	150mVp-p	150mVp-p	80mVp-p	150mVp-p	150mVp-p	80mVp-p	120mVp-p	180mVp-p
进线稳定度 Inlet wire stability		±0.5%	±1%	±1%	±0.5%	±1%	±1%	±0.5%	±1%	±1%	±0.5%	±1%	±1%
负载稳定度 Load stability		±1%	±5%	±5%	±1%	±5%	±5%	±1%	±6%	±6%	±0.5%	±5%	±5%
效率 Efficiency		77%			77%			76%			80%		
直流电压可调范围 Adjustable range for DC voltage		CH1: ±10%	CH2: ±5%	CH3: ±5%	CH1: ±10%	CH2: ±5%	CH3: ±5%	CH1: ±10%	CH2: ±5%	CH3: ±5%	CH1: ±10%	CH1: ±5%	CH1: ±5%
输入电压范围 Input voltage range		90 ~ 132VAC/180 ~ 264VAC 由开关切换 254 ~ 370VDC 47 ~ 63Hz 90 ~ 132VAC/180 ~ 264VAC by switch 254 ~ 370VDC 47 ~ 63Hz											
冲击电流 Impact current		冷启动电流 Cold start current			30A/115VAC			60A/230VAC					
过载保护 Overload protection		105% ~ 150%切断输出，自动恢复 105% ~ 150% cut off the output, automatic recovery											
过电压保护 Over voltage protection		CH1: 115 ~ 135%关闭输出，电源重启后可恢复输出 CH1: 115 ~ 135% shut down O/P voltage, re-power on to recover											
启动、上升、保持时间 Setup, rise, hold up time		200ms, 50ms, 16ms/230VAC 满负载 at full load											
耐压性 Withstand voltage		输入输出间：1.5kV 输入与外壳间：1.5kV 输出与外壳间：0.5kV 一分钟 I/P-O/P: 1.5kV I/P-FG: 1.5kV O/P-FG: 0.5kV 1minute											
隔离电阻 Isolation resistance		输入输出间 输入与外壳间 输出与外壳间：500VDC/100MΩ I/P-O/P I/P-FG O/P-FG: 500VDC/100MΩ											
工作温度 Working temperature		-10°C ~ +50°C											
尺寸 Dimension		199 × 110 × 50mm											
重量 Weight		0.9kg											
包装 Packing		42 × 31.5 × 26CM/20PCS/18kg											

外形尺寸 Overall dimension(mm)



Terminal Pin.No Assignment

Pin No.	Assignment	Pin No.	Assignment	Pin No.	Assignment
1	AC/L	4	DC OUTPUT+V1	7	DC OUTPUTCOM
2	AC/N	5	DC OUTPUT+V1	8	DC OUTPUT+V
3	FG	6	DC OUTPUTCOM		